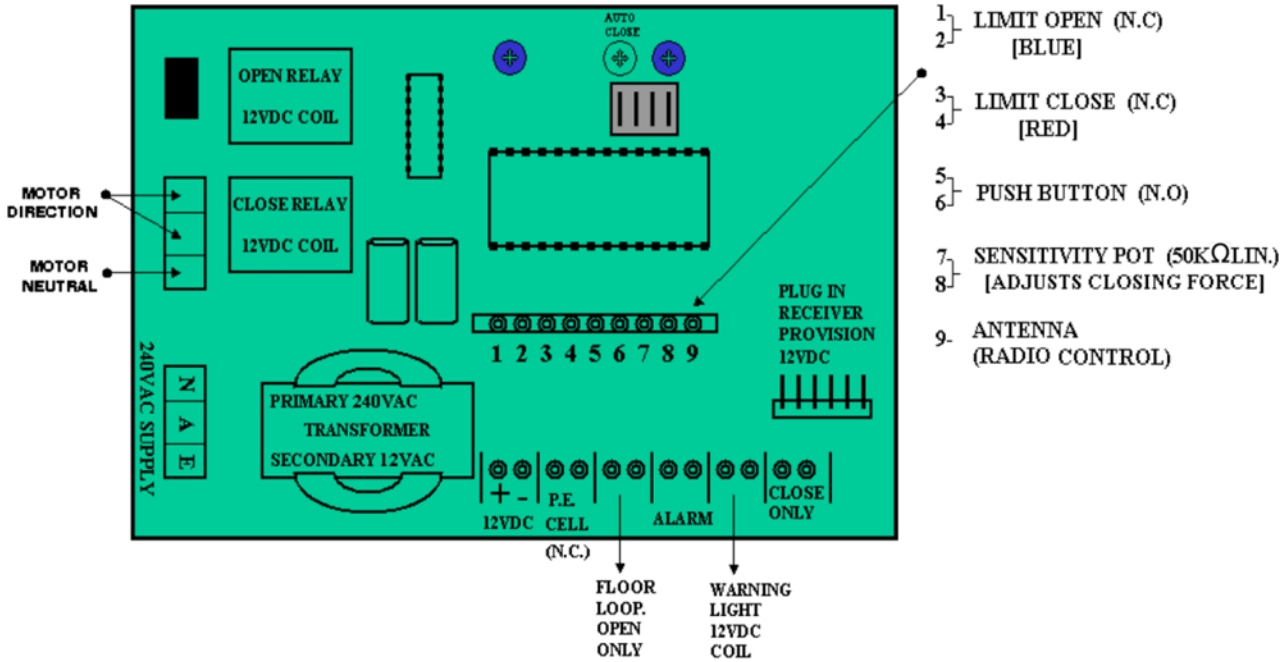


**ROBOT ELECTRONICS P.C.B LAYOUT. (ADC-03S)
TO SUIT SBD-03 COOLROOM AND FREEZER DOOR OPENER**



RED SWITCH BLOCK FUNCTIONS: { 1 – 4 }

1. AUTO CLOSE TIMER ON / OFF SELECTION
2. RADIO CONTROL “OPEN ONLY”, TIMER TO CLOSE
3. TIME DELAY FOR AUTO CLOSE. OFF.....3sec - 30sec
ON.....30sec - 15min

TIME IS ADJUSTABLE VIA WHITE TRIMPOT, MARKED AUTO CLOSE, LOCATED TOP RIGHT OF P.C.B ABOVE RED SWITCH BLOCK.

4. SECURITY CLOSE. UPON THE DOOR BEING FULLY OPEN AND THE P.E. BEAM SIGNAL IS “BROKEN”, THE DOOR WILL SHUT 3sec AFTER THE P.E.BEAM HAS BEEN CLEARED. IN THE EVENT OF THE P.E.BEAM SIGNAL NOT BEING “BROKEN, THE AUTO CLOSE TIMER TAKES OVER TO CLOSE THE DOOR.

* WHITE POT ABOVE SWITCH BLOCK - ADJUSTS AUTO CLOSE TIME DELAY.

* BLUE POT ABOVE SWITCH BLOCK - RUNS IN CONJUNCTION WITH MAIN EXTERNAL SENSITIVITY POT. THIS IS FACTORY SET AND SHOULD NOT NEED ADJUSTING. ENOUGH ADJUSTMENT IS AVAILABLE ON EXTERNAL POT.

2nd BLUE POT IS FACTORY SET FOR OPEN CYCLE OVERLOAD.